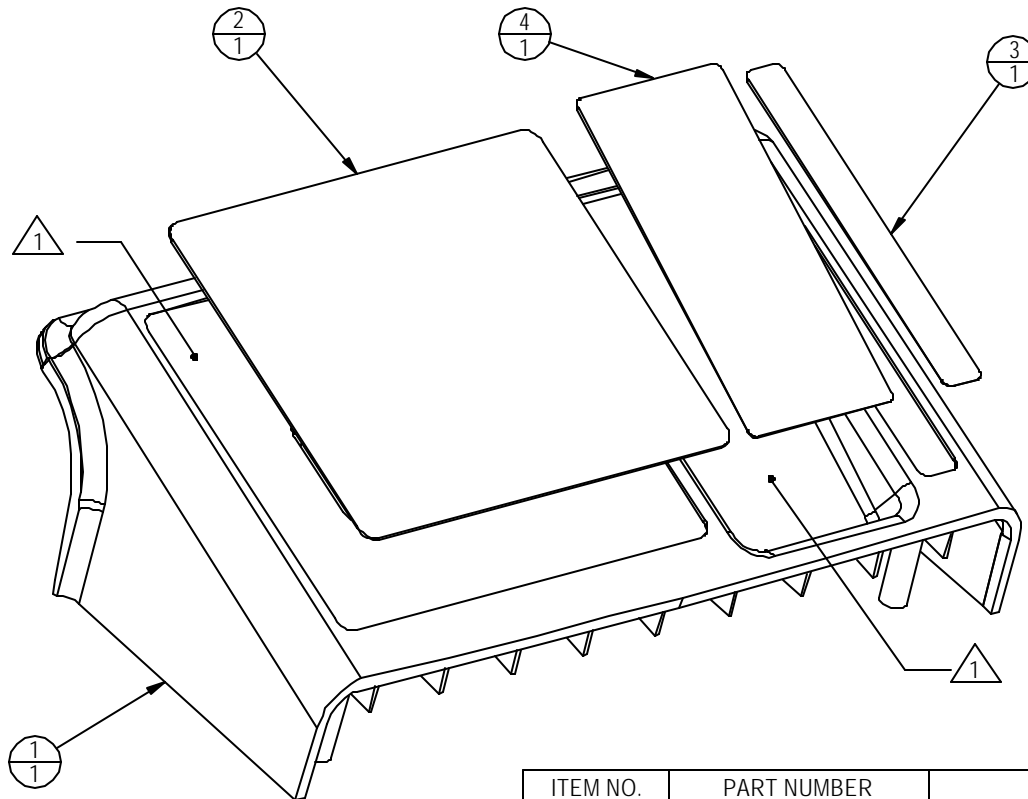


10 9 8 7 6 5 4 3 2 1

NOTES:

① CLEAN SURFACE WITH ISOPROPYL ALCOHOL & LET DRY BEFORE APPLICATION OF KEYPAD AND LABEL.

REVISIONS				
REV.	DATE	DESCRIPTION	ECO	BY
A	3/7/2007	PRODUCTION RELEASE	11558	VC



ITEM NO.	PART NUMBER	DESCRIPTION	QTY.
1	020-7072	CENTER CONSOLE BASIC - TREAD	1
2	050-2030	KEYPAD, CC, TREADMILL, SIMPLE	1
3	050-2053	LABEL, CC, TREADMILL, NO-ENTR	1
4	050-2078	LABEL, CAUTION, DISPLAY, VLAD	1

DOCUMENT STATUS:  
RELEASE

MATERIAL SEE BOM	TOLERANCES UNLESS OTHERWISE SPECIFIED X.XXX = ± .010" (0.25MM) ANGLES = ± 2° X.XX = ± .030" (0.76MM) FRACTIONS = ± 1/32 X.X = ± .050" (1.27MM) X. = ± .125" (3.20MM)	
FINISH N/A	INITIAL DRAWN FJM	DATE 12-12-06
VENDOR: N/A	APPROVED	U.O.M. MM
P/N: N/A	SCALE: 1:2   SHEET 1 OF 1   SHEET SIZE: A	

UNISEN, INC. DBA



14410 Myford Road  
Irvine CA 92606

STARTRAC PART NO <b>715-3657</b>	REV <b>A</b>
-------------------------------------	-----------------

TITLE  
ASSY, CENTER CONSOLE, TR

NOTICE OF PROPRIETARY INFORMATION  
THIS DOCUMENT SHALL NOT BE REPRODUCED NOR SHALL THE INFORMATION CONTAINED HEREIN BE USED BY OR DISCLOSED TO OTHER EXCEPT AS EXPRESSLY AUTHORIZED BY UNISEN

10 9 8 7 6 5 4 3 2 1